



I N F I N I T I

QX60

SENSORY

V6 – 3.5L – 279HP

9 Speed Automatic Transmission

Intelligent AWD

VISIBILITY

Exterior Body Color Mirror With Electric Fold, Adjust, Tilt, Reverse And Memory

Side Turn Signal On Exterior Mirror

Full Led Headlamp With Adaptive Front Lighting System

Led Rear Lamp

PERFORMANCE

Infiniti Drive Mode Selector

9-Speed Automatic Transmission

Front And Rear Suspension Stabilizer

TIRES / WHEELS

All-Season Tires

20" Dark Metallic Gray Painted Aluminum Alloy Wheels With Machined Finish On Face And Step

Paired With Black Center Caps (255/50R20)

Spare Wheel And Tire

EXTERIOR

Panoramic Sunroof (Half Open) And Electric Sunshade For Front And Rear

Power Rear Lift Gate With Electric Open Switch, Power Open/Close With Auto Closer.

Motion Activated Liftgate

Chrome Side Molding

Double Arch Radiator Grille

Integrated Rear Side Spoiler



I N F I N I T I

QX60

SENSORY

Chrome And Body Color Outside Door Handle
Chrome Backdoor Finisher
Invisible Type Exhaust Tail Pipe
Radiator Grille With Intricate Mesh
Shark Fin Antenna
Side Marker On Front Wheel Arches

INTERIOR

Interior Rear View Mirror With Auto Dimming
Smart Rearview Mirror
Flat Bottom Steering Wheel With Semi-Aniline Smooth Leather And Gray Stitching
Head-Up Display (Hud)
Steering Wheel With Manual Tilt And Telescopic
Driver And Assistant Passenger Seats 8-Way Memory & Power With Massage
Steering Switch With Meter, Audio, Tel, Vr And Ascd
Driver And Assistant Passenger Climatized Seats + Heated 2Nd Row Out Board Seats
Wireless Charger
Leather Seats With Single Gray Stitching
Front And Rear Door Pocket And Bottle Holder
Center Console With Storage And Armrest
Interior Ambient Illumination
Tri-Zone Air-Conditioning
Rear Air Vents: Headliner-Mounted, 2Nd & 3Rd Row Outboard Positions
Rear Heater Ducts: Under 1St Row Seats & On 3Rd Row Rh Lower Trim Panel

AUDIO. NAVIGATION

Infiniti Fine Vision Electroluminescent Gauges W/ 7" Intelligent-View® Display
Infiniti Intouch™ 12.3 – Inch Interactive Display
Wireless Carplay® And Wired Android Auto™
Bose® Performance Series With 17 Speakers



I N F I N I T I

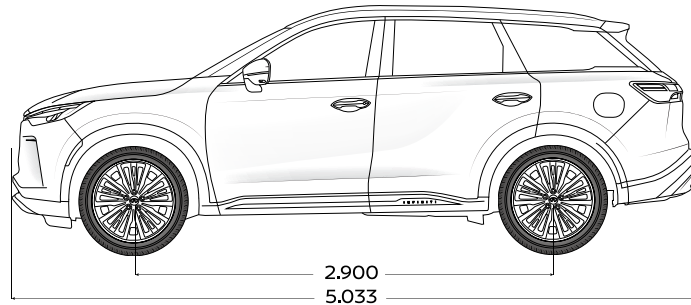
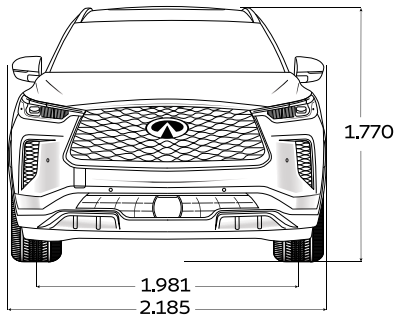
QX60

SENSORY

SAFETY & SECURITY

Driver And Passenger Front And Knee Airbag + Curtain Airbag + Front Side Airbag
Second-Row Seatbelts With Automatic Emergency Locking Retractor (Aelr)
4 X Isofix (International Standards Organisation Fix) Tethers
Anti-Theft Alarm
Anti-Locking Braking System W/ Emergency Braking Distribution
Rear Parking Sensors
Rear Parking Camera
Tire Pressure Monitoring System With Easy Fill Alert

DIMENSIONS



3 YEARS/ 100,000KM WARRANTY

*TERMS & CONDITIONS APPLY



INFINITI

QX60

SENSORY

IMAGES

EXTERIOR





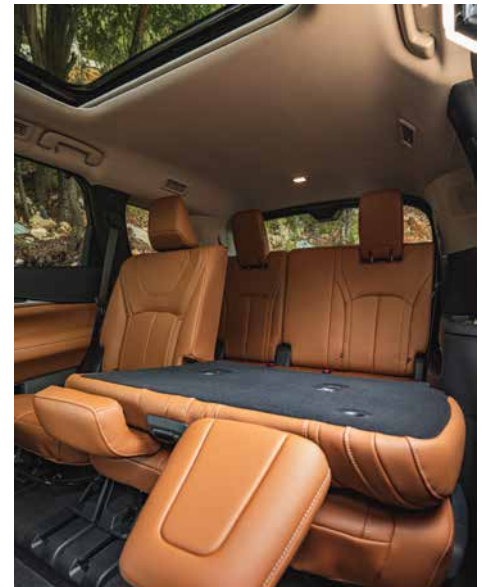
INFINITI

QX60

SENSORY

IMAGES

INTERIOR



DOWNLOAD CATALOGUE

